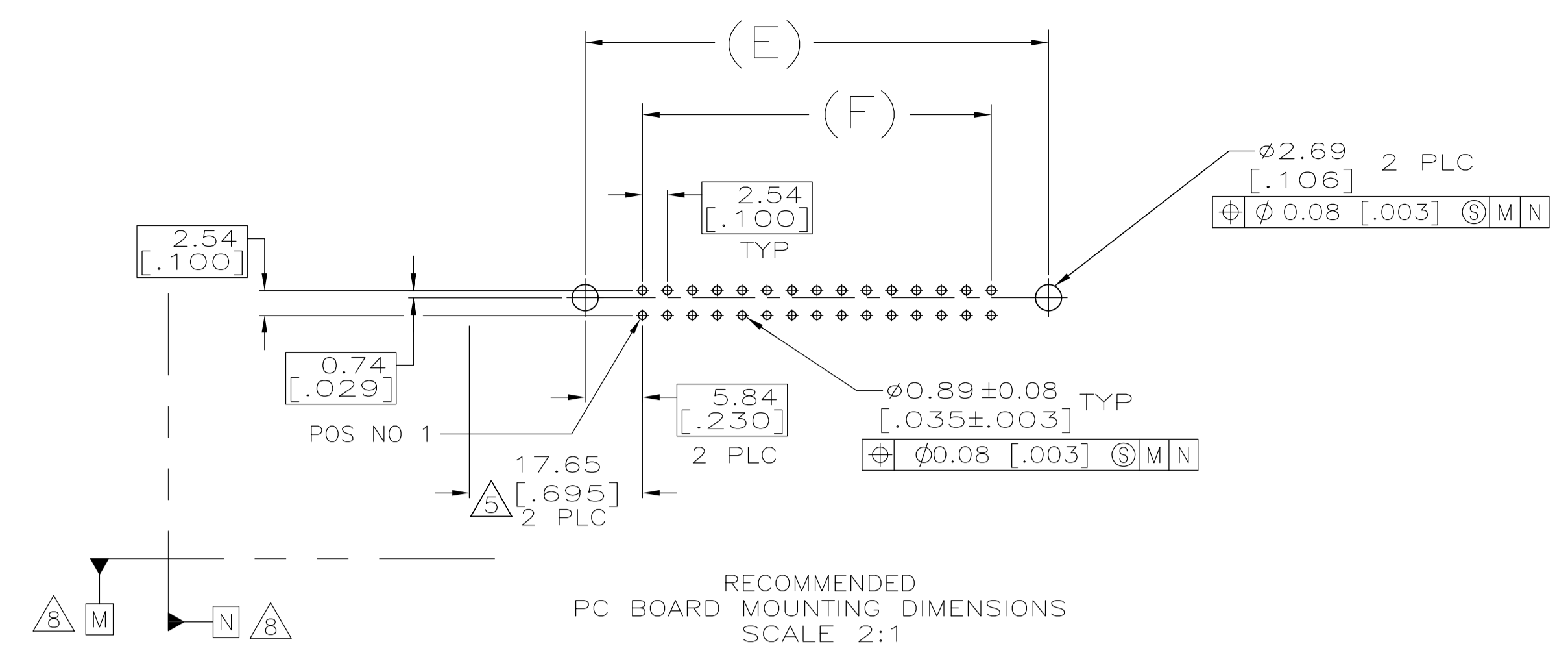
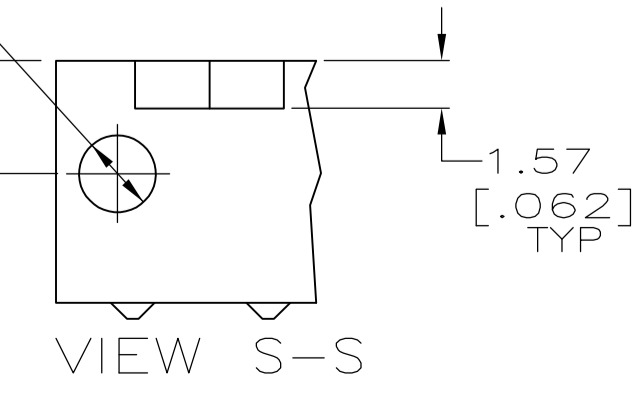
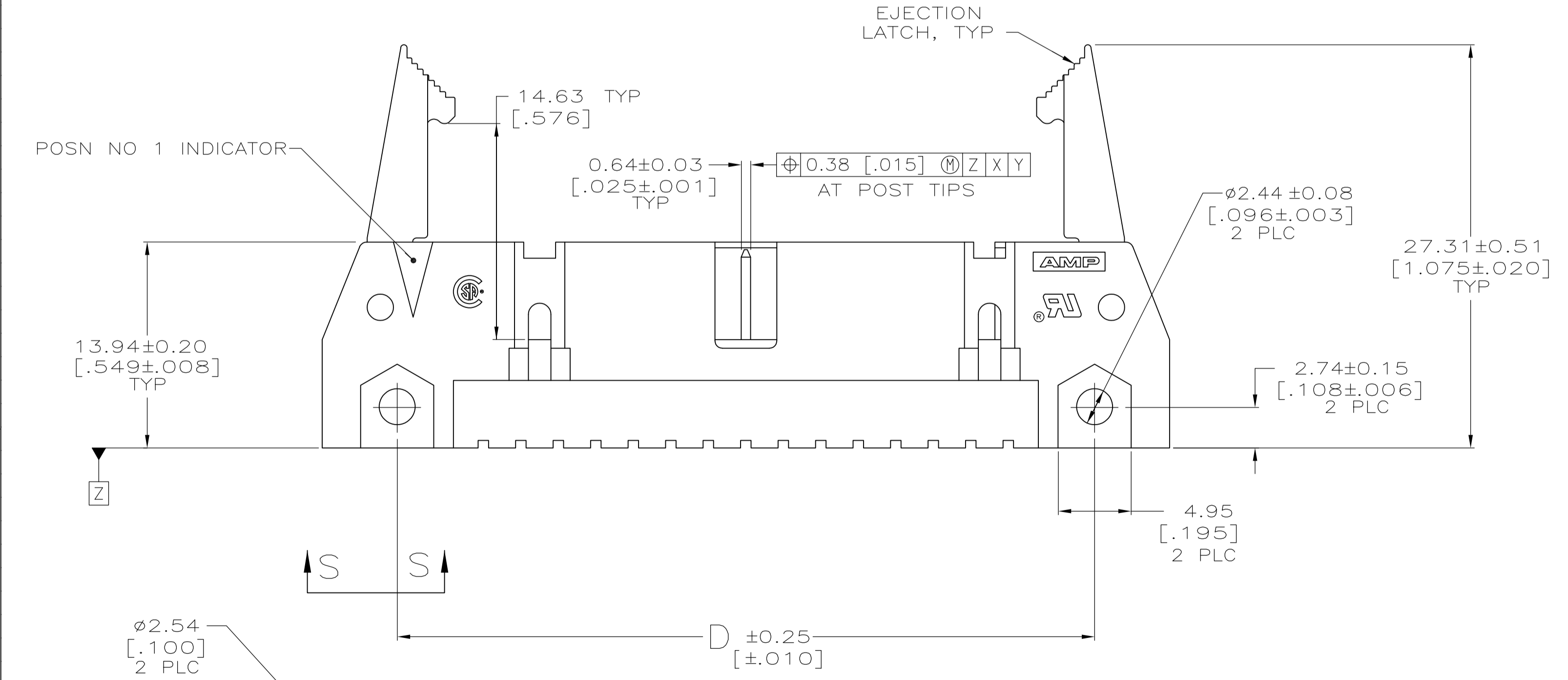
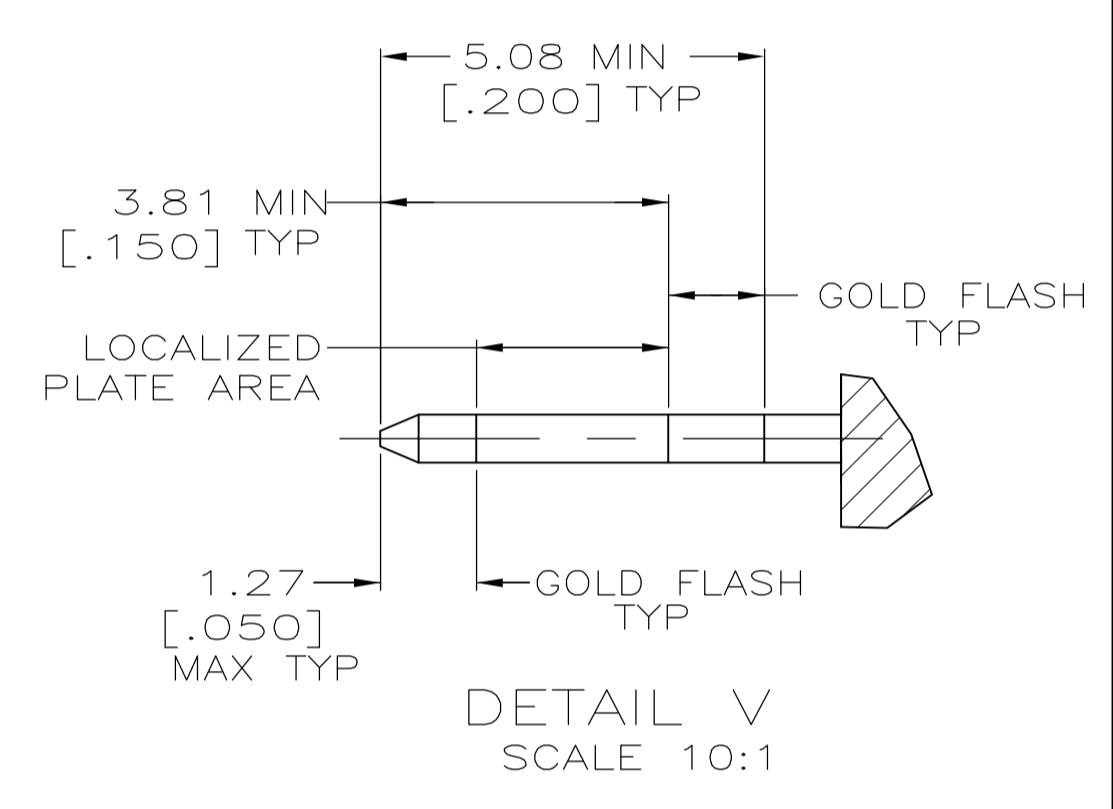
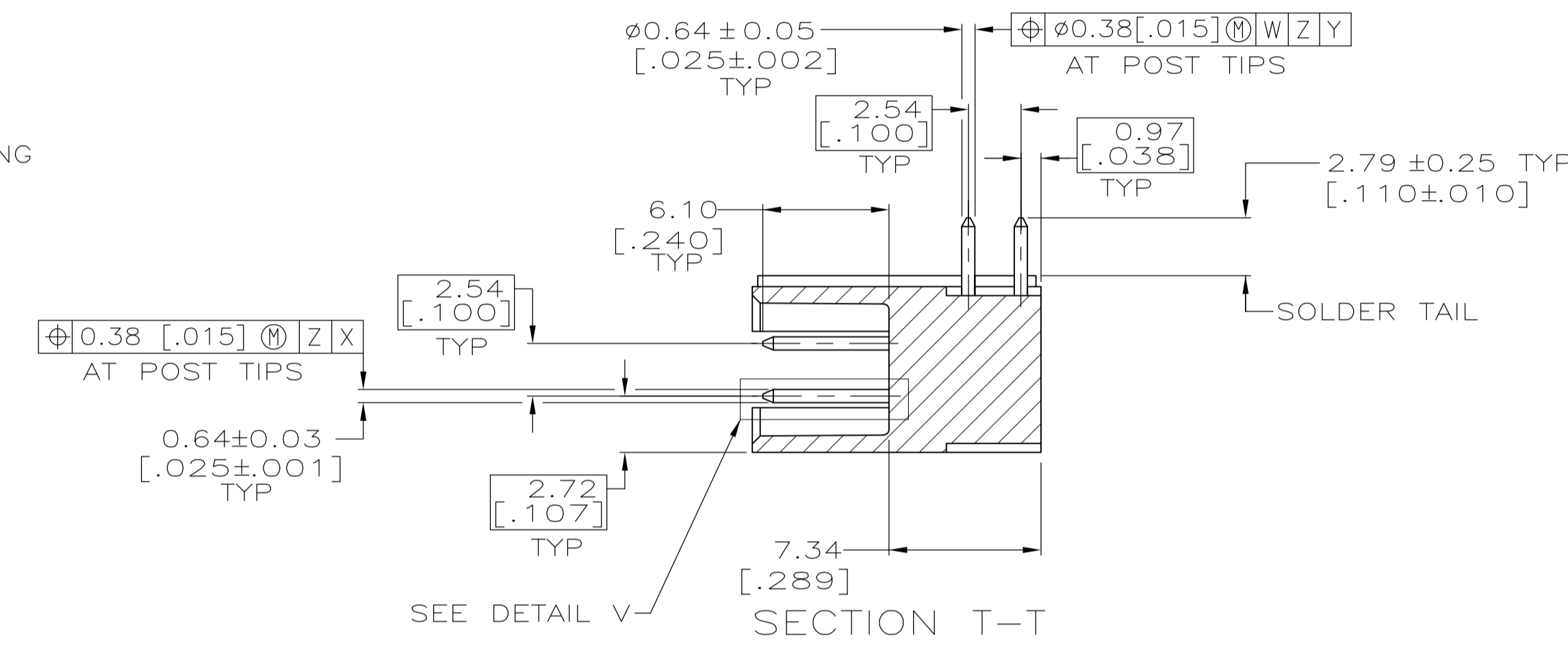
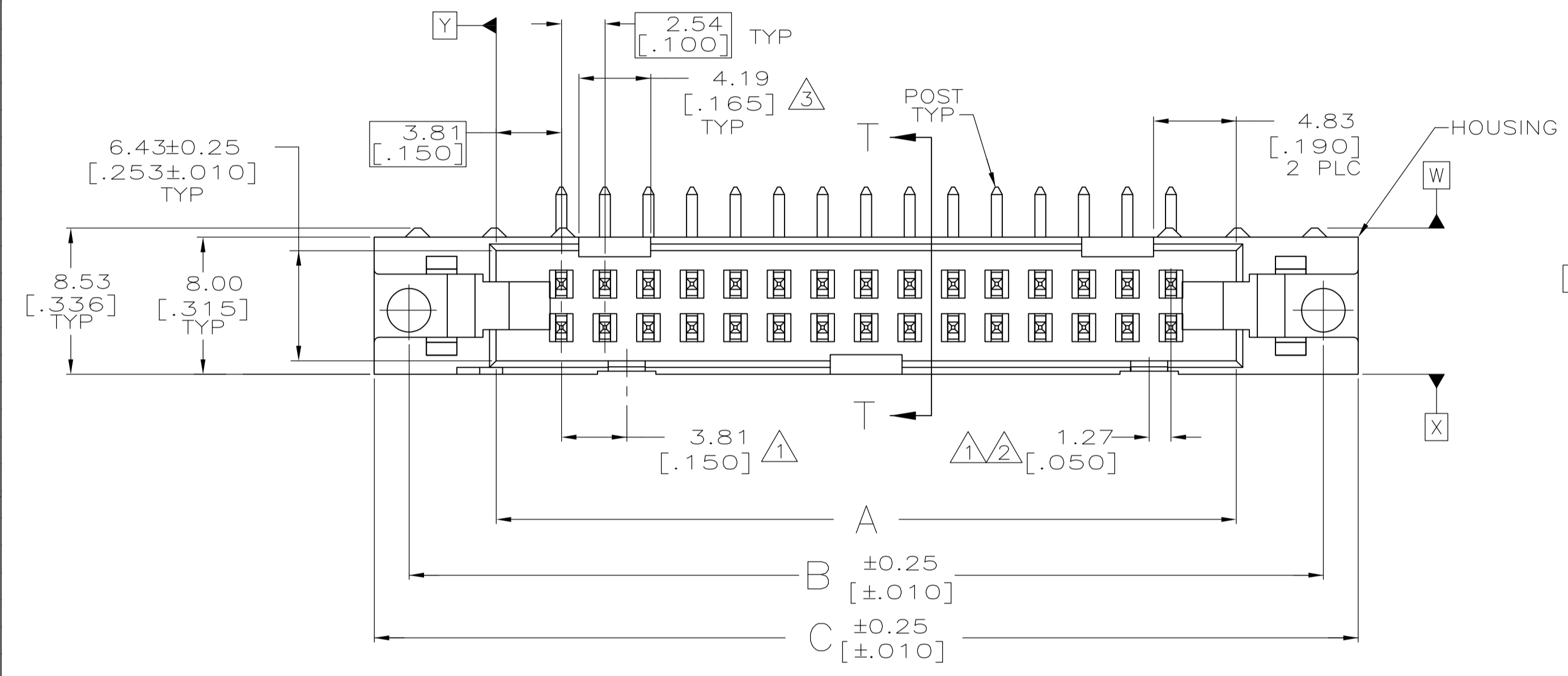


| LOC |     | DIST                      |         | REVISIONS |      |  |  |
|-----|-----|---------------------------|---------|-----------|------|--|--|
| F   | LTR | DESCRIPTION               | DATE    | DMN       | APVD |  |  |
| F1  |     | REVISED PER ECO-11-004835 | 11MAR11 | RK        | HMR  |  |  |



EJECTION LATCHES OMITTED IN THIS VIEW FOR CLARITY



SEE SHEET 2 FOR TABLE & NOTES

|  |  |  |  |                           |  |
|--|--|--|--|---------------------------|--|
| THIS DRAWING IS A CONTROLLED DOCUMENT. |  | DIN L VARELA - DOCKS 01-07-05          |  | STE TE Connectivity       |  |
| DIMENSIONS: mm [INCHES]                |  | TOLERANCES UNLESS OTHERWISE SPECIFIED: |  | APVD S BOLASH 01-07-05    |  |
| 0 PLC ± -                              |  | 1 PLC ± -                              |  | NAME M WALMSLEY           |  |
| 2 PLC ± 0.13[.005]                     |  | 3 PLC ± -                              |  | PRODUCT SPEC 108-40018    |  |
| 4 PLC ± -                              |  | ANGLES ± -                             |  | APPLICATION SPEC          |  |
| MATERIAL                               |  | FINISH                                 |  | SIZE CAGE CODE DRAWING NO |  |
| A6                                     |  | A7                                     |  | A1 00779 C=5499141        |  |
| CUSTOMER DRAWING                       |  | SCALE 4:1                              |  | RESTRICTED TO             |  |
|  |  | SHEET 1 OF 2                           |  | REV F1                    |  |

- ① COORDINATE DIMENSION APPLIES FROM BASIC LOCATION.
- ② 10 AND 14 POSITION SIZES CONTAIN ONLY ONE SLOT FOR SNAP-IN POLARIZER (MILITARY POLARIZATION) LOCATED AS SHOWN.
- ③ 10 POSITION SIZES CONTAIN ONLY ONE SLOT FOR DUAL POLARIZATION, LOCATED AS SHOWN.
- 4. RECOMMENDED PRINTED CIRCUIT BOARD THICKNESS IS 1.57 [.062].
- ⑤ DISTANCE REQUIRED BY EJECTION LATCHES IN THE OPEN POSITION.
- ⑥ HOUSING & LATCHES: GLASS FILLED NYLON OR POLYESTER, UL94V-0 RATED, SEE TABLE FOR COLOR. POSTS: BRASS.
- ⑦ POSTS: GOLD FLASH OVER PALLADIUM-NICKEL PLATE, 0.76 $\mu$ m[.000030] MIN TOTAL ON THE LOCALIZED PLATE AREA, 2.54 $\mu$ m[.000100] MIN TIN PLATE ON THE SOLDER-TAIL, 1.27 $\mu$ m[.000050] MIN NICKEL UNDERPLATE ON THE ENTIRE POST.  
-OR-  
0.76 $\mu$ m[.000030] MIN GOLD PLATE ON THE LOCALIZED PLATE AREA, 2.54 $\mu$ m[.000100] MIN TIN PLATE ON THE SOLDER-TAIL, 1.27 $\mu$ m[.000050] MIN NICKEL UNDERPLATE ON THE ENTIRE POST.
- ⑧ DATUMS M & N TO BE ESTABLISHED BY CUSTOMER.

|                           |       |                  |                  |                  |                   |                  |                  |            |             |
|---------------------------|-------|------------------|------------------|------------------|-------------------|------------------|------------------|------------|-------------|
|                           | BLUE  | 53.34<br>[2.100] | 65.02<br>[2.560] | 65.02<br>[2.560] | 75.18<br>[2.960]  | 71.12<br>[2.800] | 60.96<br>[2.400] | 44         | 3-5499141-3 |
|                           | BLUE  | 78.74<br>[3.100] | 90.42<br>[3.560] | 90.42<br>[3.560] | 100.58<br>[3.960] | 96.52<br>[3.800] | 86.36<br>[3.400] | 64         | 3-5499141-2 |
| OBSOLETE                  | BLUE  | 73.66<br>[2.900] | 85.34<br>[3.360] | 85.34<br>[3.360] | 95.50<br>[3.760]  | 91.44<br>[3.600] | 81.28<br>[3.200] | 60         | 3-5499141-1 |
|                           | BLUE  | 60.96<br>[2.400] | 72.64<br>[2.860] | 72.64<br>[2.860] | 82.80<br>[3.260]  | 78.74<br>[3.100] | 68.58<br>[2.700] | 50         | 3-5499141-0 |
| OBSOLETE                  | BLUE  | 48.26<br>[1.900] | 59.94<br>[2.360] | 59.94<br>[2.360] | 70.10<br>[2.760]  | 66.04<br>[2.600] | 55.88<br>[2.200] | 40         | 2-5499141-9 |
|                           | BLUE  | 40.64<br>[1.600] | 52.32<br>[2.060] | 52.32<br>[2.060] | 62.48<br>[2.460]  | 58.42<br>[2.300] | 48.26<br>[1.900] | 34         | 2-5499141-8 |
|                           | BLUE  | 30.48<br>[1.200] | 42.16<br>[1.660] | 42.16<br>[1.660] | 52.32<br>[2.060]  | 48.26<br>[1.900] | 38.10<br>[1.500] | 26         | 2-5499141-6 |
|                           | BLUE  | 22.86<br>[.900]  | 34.54<br>[1.360] | 34.54<br>[1.360] | 44.70<br>[1.760]  | 40.64<br>[1.600] | 30.48<br>[1.200] | 20         | 2-5499141-4 |
|                           | BLUE  | 17.78<br>[.700]  | 29.46<br>[1.160] | 29.46<br>[1.160] | 39.62<br>[1.560]  | 35.56<br>[1.400] | 25.40<br>[1.000] | 16         | 2-5499141-3 |
|                           | BLUE  | 15.24<br>[.600]  | 26.92<br>[1.060] | 26.92<br>[1.060] | 37.08<br>[1.460]  | 33.02<br>[1.300] | 22.86<br>[.900]  | 14         | 2-5499141-2 |
|                           | BLUE  | 10.16<br>[.400]  | 21.84<br>[.860]  | 21.84<br>[.860]  | 32.00<br>[1.260]  | 27.94<br>[1.100] | 17.78<br>[.700]  | 10         | 2-5499141-1 |
|                           | BLACK | 78.74<br>[3.100] | 90.42<br>[3.560] | 90.42<br>[3.560] | 100.58<br>[3.960] | 96.52<br>[3.800] | 86.36<br>[3.400] | 64         | 1-5499141-2 |
|                           | BLACK | 73.66<br>[2.900] | 85.34<br>[3.360] | 85.34<br>[3.360] | 95.50<br>[3.760]  | 91.44<br>[3.600] | 81.28<br>[3.200] | 60         | 1-5499141-1 |
|                           | BLACK | 60.96<br>[2.400] | 72.64<br>[2.860] | 72.64<br>[2.860] | 82.80<br>[3.260]  | 78.74<br>[3.100] | 68.58<br>[2.700] | 50         | 1-5499141-0 |
|                           | BLACK | 48.26<br>[1.900] | 59.94<br>[2.360] | 59.94<br>[2.360] | 70.10<br>[2.760]  | 66.04<br>[2.600] | 55.88<br>[2.200] | 40         | 5499141-9   |
|                           | BLACK | 40.64<br>[1.600] | 52.32<br>[2.060] | 52.32<br>[2.060] | 62.48<br>[2.460]  | 58.42<br>[2.300] | 48.26<br>[1.900] | 34         | 5499141-8   |
|                           | BLACK | 35.56<br>[1.400] | 47.24<br>[1.860] | 47.24<br>[1.860] | 57.40<br>[2.260]  | 53.34<br>[2.100] | 43.18<br>[1.700] | 30         | 5499141-7   |
|                           | BLACK | 30.48<br>[1.200] | 42.16<br>[1.660] | 42.16<br>[1.660] | 52.32<br>[2.060]  | 48.26<br>[1.900] | 38.10<br>[1.500] | 26         | 5499141-6   |
|                           | BLACK | 27.94<br>[1.100] | 39.62<br>[1.560] | 39.62<br>[1.560] | 49.78<br>[1.960]  | 45.72<br>[1.800] | 35.56<br>[1.400] | 24         | 5499141-5   |
|                           | BLACK | 22.86<br>[.900]  | 34.54<br>[1.360] | 34.54<br>[1.360] | 44.70<br>[1.760]  | 40.64<br>[1.600] | 30.48<br>[1.200] | 20         | 5499141-4   |
|                           | BLACK | 17.78<br>[.700]  | 29.46<br>[1.160] | 29.46<br>[1.160] | 39.62<br>[1.560]  | 35.56<br>[1.400] | 25.40<br>[1.000] | 16         | 5499141-3   |
|                           | BLACK | 15.24<br>[.600]  | 26.92<br>[1.060] | 26.92<br>[1.060] | 37.08<br>[1.460]  | 33.02<br>[1.300] | 22.86<br>[.900]  | 14         | 5499141-2   |
|                           | BLACK | 10.16<br>[.400]  | 21.84<br>[.860]  | 21.84<br>[.860]  | 32.00<br>[1.260]  | 27.94<br>[1.100] | 17.78<br>[.700]  | 10         | 5499141-1   |
| HOUSING AND LATCHES COLOR |       | F                | E                | D                | C                 | B                | A                | NO OF POSN | PART NUMBER |

|  |  |   |  |  |  |
|--|--|---|--|--|--|
| THIS DRAWING IS A CONTROLLED DOCUMENT.   |  | DIN L VARELA - DOCKS 01-07-05                                 |  | TE Connectivity  |  |
| DIMENSIONS: INCHES   |  | TOLERANCES UNLESS OTHERWISE SPECIFIED:                        |  | APVD S BOLASH 01-07-05   |  |
| 0 PLC ± -<br>1 PLC ± -<br>2 PLC ± 0.13[.005]<br>3 PLC ± -<br>4 PLC ± -<br>ANGLES ± - |  | NAME M WALMSLEY<br>PRODUCT SPEC 108-40018<br>APPLICATION SPEC |  | HEADER ASSY, UNIVERSAL, AMP-LATCH<br>SIZE CAGE CODE DRAWING NO RESTRICTED TO<br>A1 00779 5499141 |  |
| MATERIAL SEE SHEET 1   |  | FINISH SEE SHEET 1  |  | WEIGHT -   |  |
| CUSTOMER DRAWING   |  |   |  | SCALE 1:1 SHEET 2 OF 2 REV F1  |  |